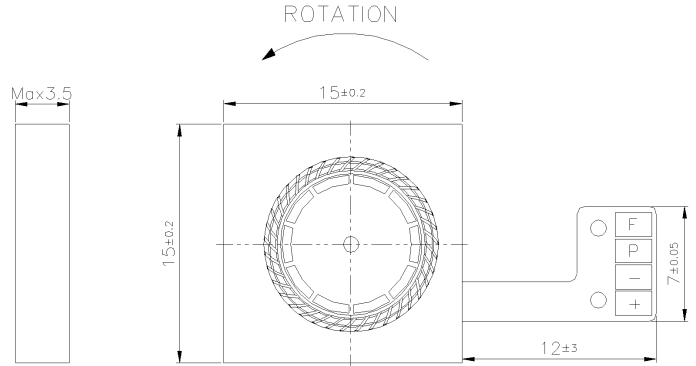
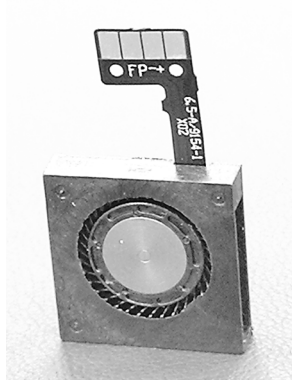
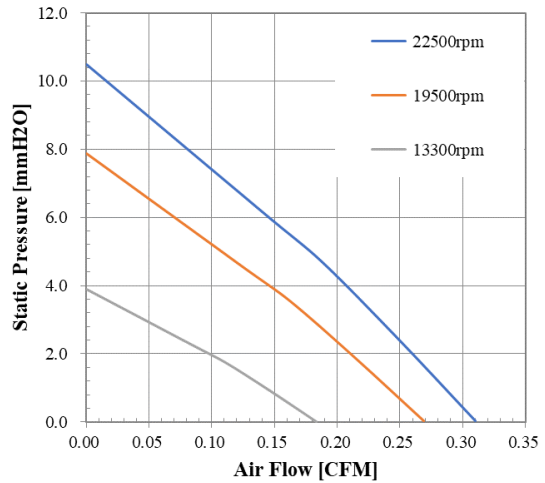


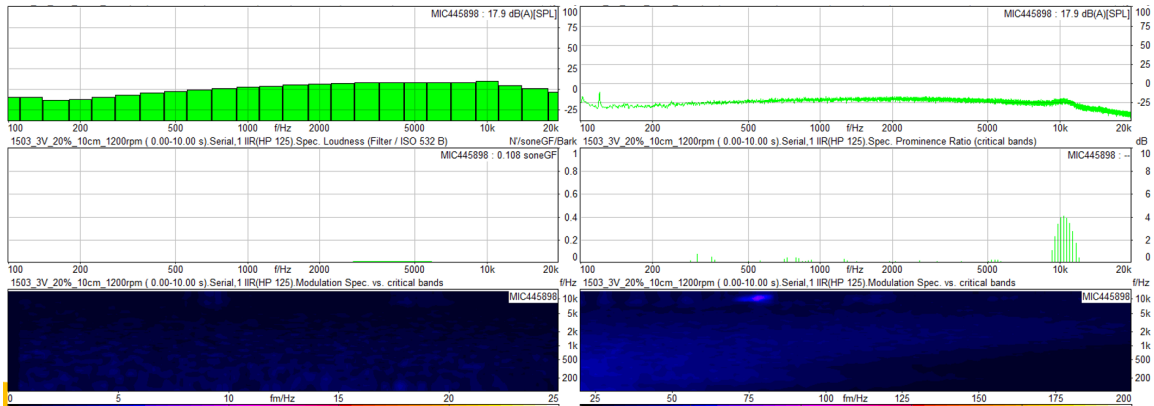
iMiNi Fan 15*15*3 MM Series



Housing : Plastic (UL 94V-0)
 Impeller : Plastic (UL 94V-0)
 Bearing : Sleeve bearing
 Operating temp : -10 ~ 60°C
 Mass : 0.92g



20% Duty Speed Sound Quality Spectrum



Product Type	Model No.		Control Type	Bearing Type	Rated Voltage	Operating Voltage Range	Operating Temp.	Speed	Input Current	Input Power	Maximum Air Flow		Maximum Air Pressure		Noise
					VDC	VDC	°C	R.P.M	Amp	Watt	CFM	l/min	Pa	mmH2O	dB(A)@30CM
iMiNi 1503 鼓風扇	M1B1533H	HQ4010	+/-FG/PWM	Hydraulic	3	2~3.5	-40~60	22500	0.25	0.75	0.31	8.78	102.91	10.49	37.6
	M1B1533H	HQ4020	+/-FG/PWM	Hydraulic	3	2~3.5	-40~60	19500	0.16	0.48	0.27	7.61	77.30	7.88	34.7
	M1B1533H	HQ4030	+/-FG/PWM	Hydraulic	3	2~3.5	-40~60	13300	0.094	0.28	0.18	5.19	38.25	3.90	26.8
iMiNi 1503 IP68 鼓風扇	M1B1533H	HQ4110	+/-FG/PWM	Hydraulic	3	2~3.5	-40~60	22500	0.25	0.75	0.31	8.78	102.91	10.49	37.6
	M1B1533H	HQ4120	+/-FG/PWM	Hydraulic	3	2~3.5	-40~60	19500	0.16	0.48	0.27	7.61	77.30	7.88	34.7
	M1B1533H	HQ4130	+/-FG/PWM	Hydraulic	3	2~3.5	-40~60	13300	0.094	0.28	0.18	5.19	38.25	3.90	26.8